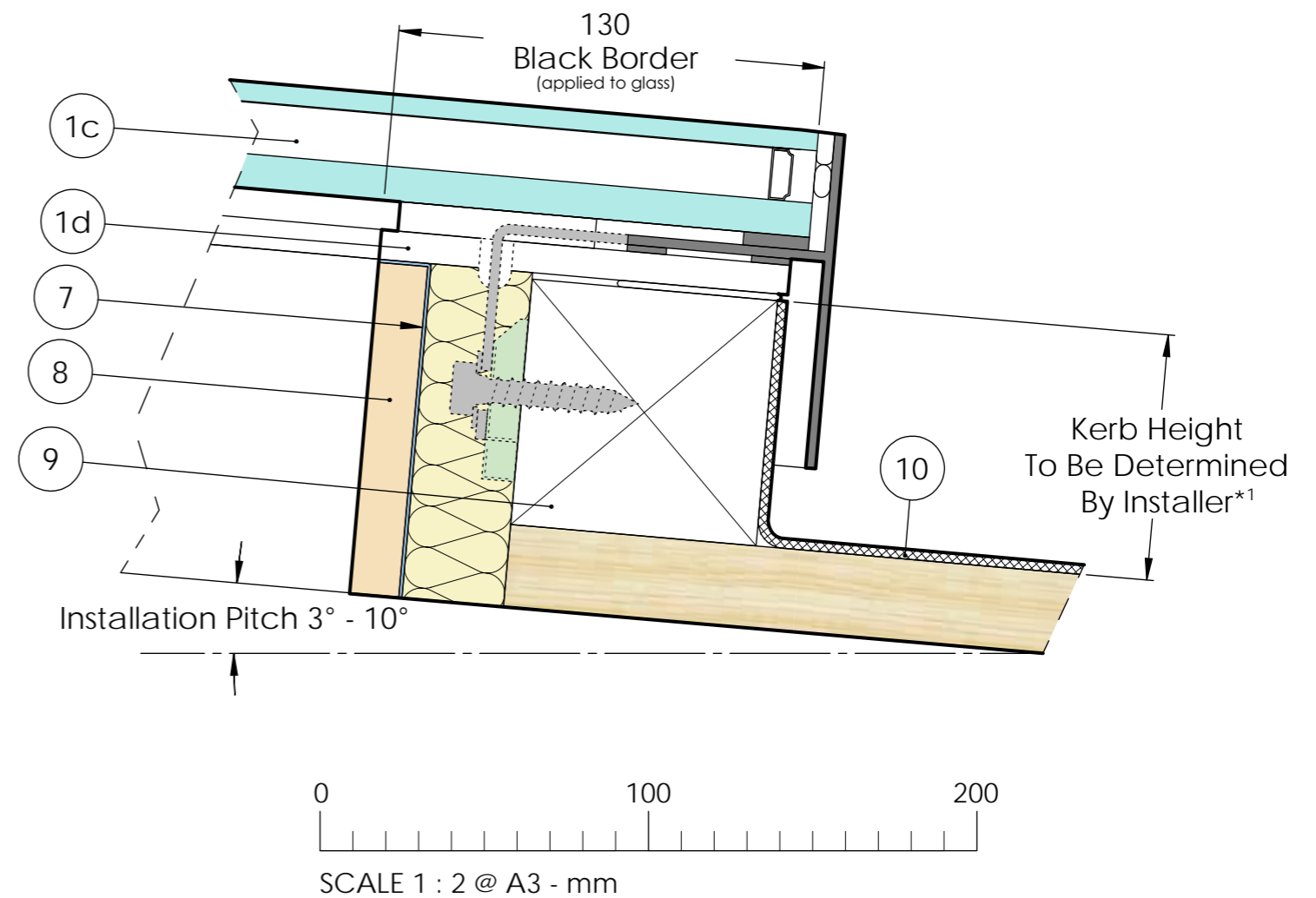
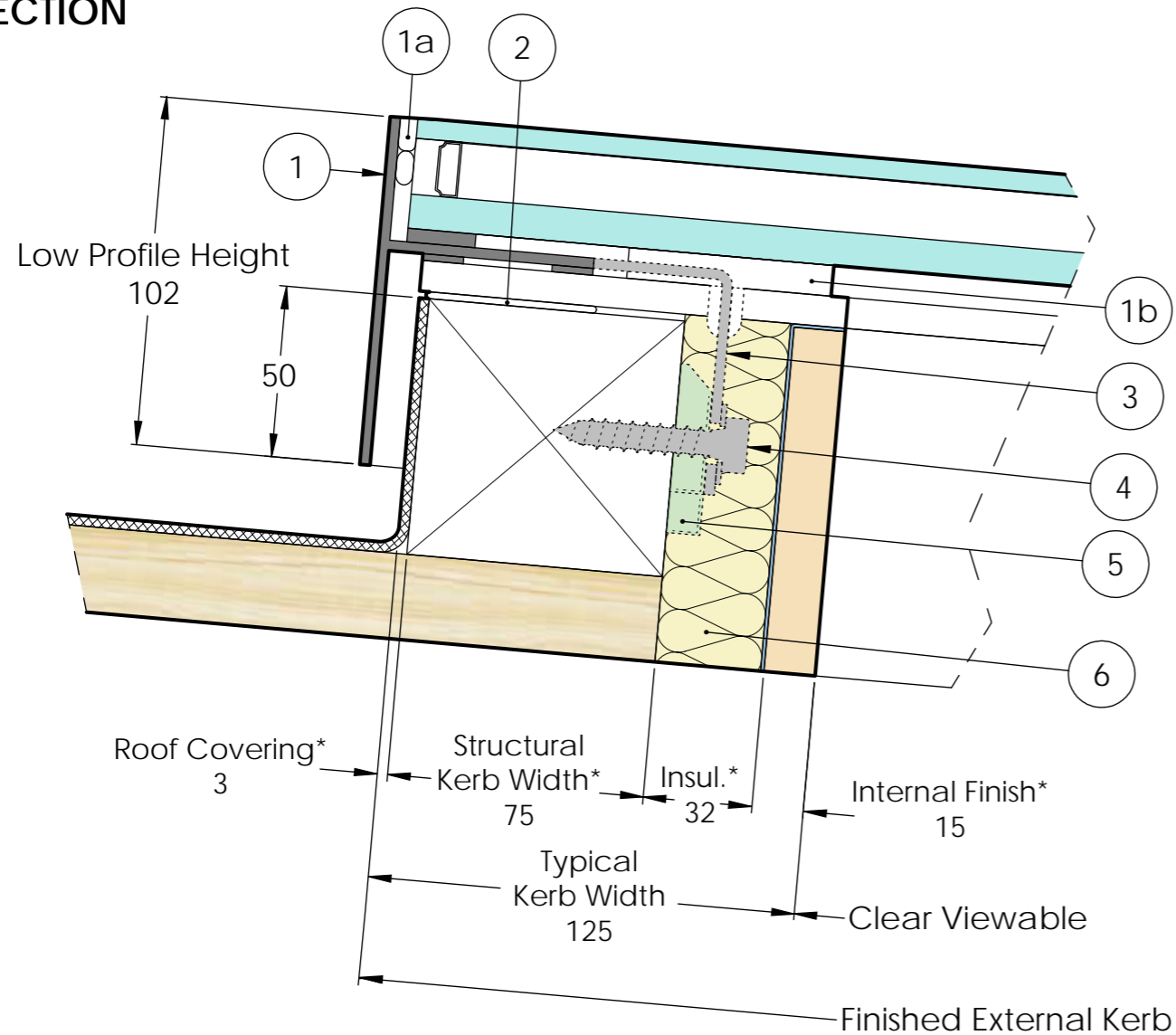
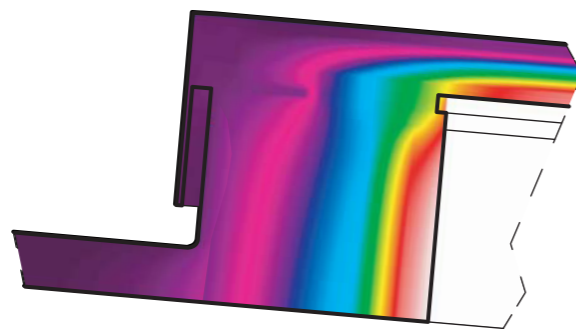


SECTION



*1 - This detail does not specify kerb height. We recommend that installers follow the guidance outlined in BS6229:2003 'Flat roofs with continuously supported coverings - Code of practice'

THERMAL PERFORMANCE | U-Value 1.3w/m²K°



Calculated in accordance with BS EN ISO 10077-2 and BS EN 673 based on roof opening area of 1.8204m² for the rooflight only using a centre pane u-g value of 1.0W/m²K.

NOTES All installation components contractor supplied except part № 1a to 1d (factory fitted), 3 (factory fitted) & 4 (supplied loose).

- Key:
1. neo™ Plateau Rooflight
 - 1a. Perimeter silicone weather-seal.
 - 1b. Internal air-seal.
 - 1c. IGU (10mm P6B laminate (Glass/Poly/Glass), 16mm argon filled cavity, 6mm low-emissivity toughened outer).
 - 1d. Thermoliner – thermal and moisture control.
 2. Perimeter silicone seal – seal perimeter of rooflight (1) with a thick continuous bead of low modulus neutral cure silicone.
 3. Localised fixing lug (part of rooflight frame).
 4. Internal fixing - M10x50 A2 stainless steel coach screw & washer.
 5. Fixing tolerance – pack any gap behind the fixing lug prior to bolting up the coach screw (4).
 6. Insulation.
 7. Vapour barrier – sealed to the underside of the Thermoliner (1d).
 8. Internal finish – hardwood timber recommended.
 9. Structural member.
 10. Finished roof covering.

TITLE :
neo™ Plateau Secured by Design Level 1
 > A rooflight range suitable for flat roofs between 3° and 10°
Single-ply membrane / felt installation detail

DWG NO. : NP-004INST-B
 SCALE : 1:2 @ A3
 DO NOT SCALE

SHEET NO. : 1 OF 2
 DATE : 08/11/2018

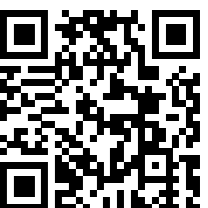
* This is a suggested installation detail which may not be exactly applicable to all situations and constructions. It is not a detailed or constructional proposal. Installers and designers are advised to check their own details for compliance with all currently applicable Local Authority by-laws, Acts of Parliament and British / ISO standards.

REVISION:
B
 DB : NT
 CB : PD

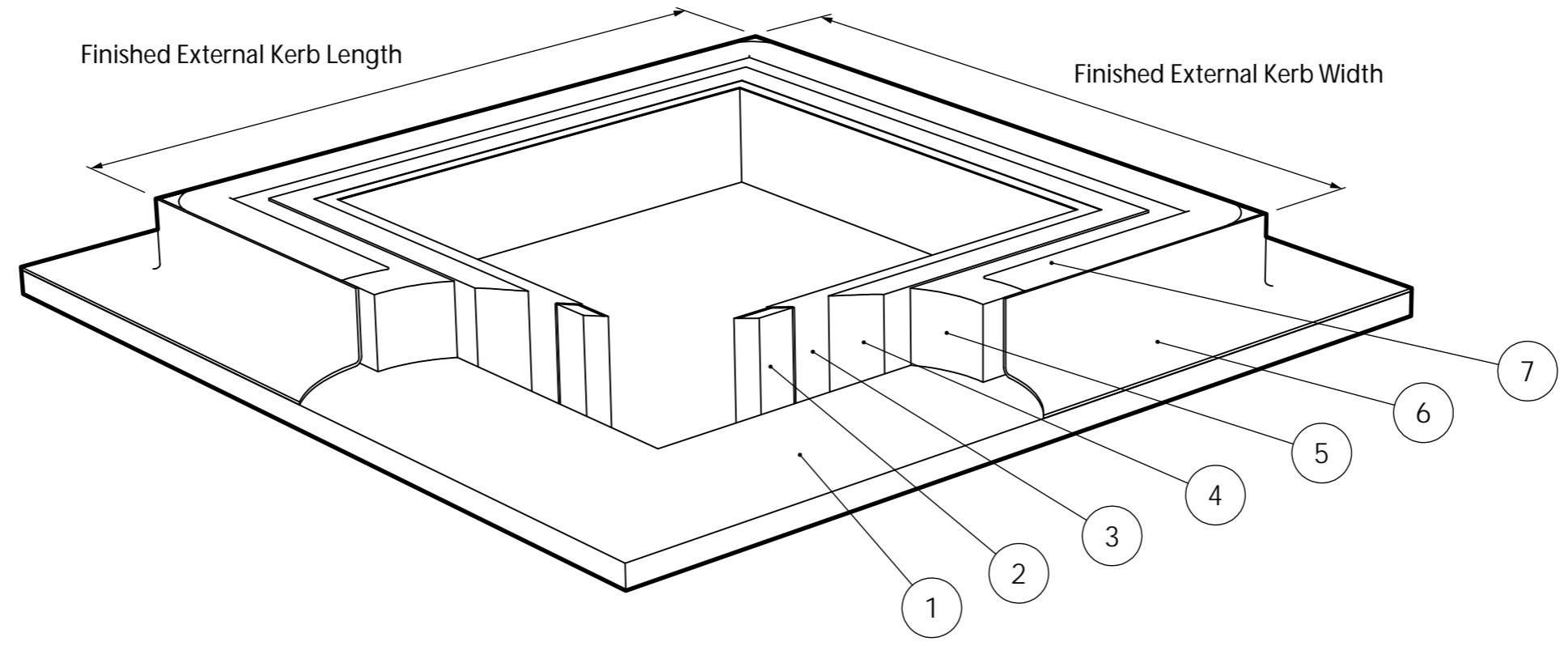


All information contained within this drawing is copyright © and design right of the Rooflight Company. The intellectual property rights of the products detailed within this drawing and embedded 3D models are owned by the Rooflight Company.

w: www.therooflightcompany.co.uk t: 01993 833 108 e: info@therooflightcompany.co.uk

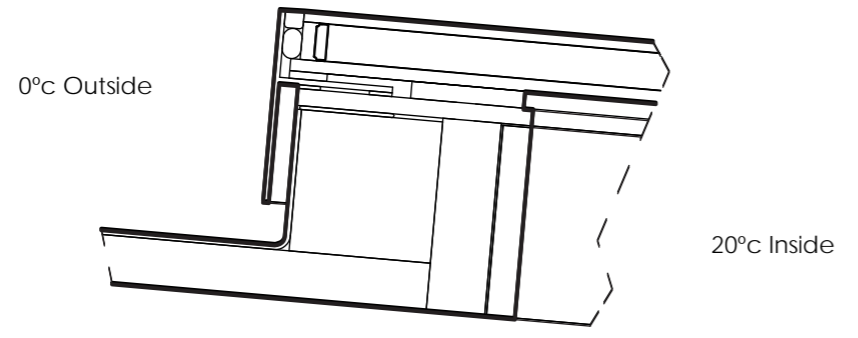


SECTION



*1 - This detail does not specify kerb height. We recommend that installers follow the guidance outlined in BS6229:2003 'Flat roofs with continuously supported coverings - Code of practice'

THERMAL PERFORMANCE | U-Value 1.3w/m²K°



Calculated in accordance with BS EN ISO 10077-2 and BS EN 673 based on roof opening area of 1.8204m² for the rooflight only using a centre pane ug value of 1.0W/m²K.

NOTES

- Key:
1. Roof deck.
 2. Internal finish – hardwood timber recommended.
 3. Vapour barrier.
 4. Insulation.
 5. Structural member.
 6. Finished roof covering.
 7. Perimeter silicone seal – seal perimeter of rooflight with a thick continuous bead of low modulus neutral cure silicone.

TITLE :
neo™ Plateau Secured by Design Level 1
 > A rooflight range suitable for flat roofs between 3° and 10°
Single-ply membrane / felt installation detail

DWG NO. : NP-004INST-B SHEET NO. : 2 OF 2
 SCALE : 1:2 @ A3 DATE : 08/11/2018
 DO NOT SCALE

* This is a suggested installation detail which may not be exactly applicable to all situations and constructions. It is not a detailed or constructional proposal. Installers and designers are advised to check their own details for compliance with all currently applicable Local Authority by-laws, Acts of Parliament and British / ISO standards.

REVISION:
B
 DB : NT
 CB : PD



All information contained within this drawing is copyright © and design right of the Rooflight Company. The intellectual property rights of the products detailed within this drawing and embedded 3D models are owned by the Rooflight Company.
 w: www.therooflightcompany.co.uk t: 01993 833 108 e: info@therooflightcompany.co.uk

