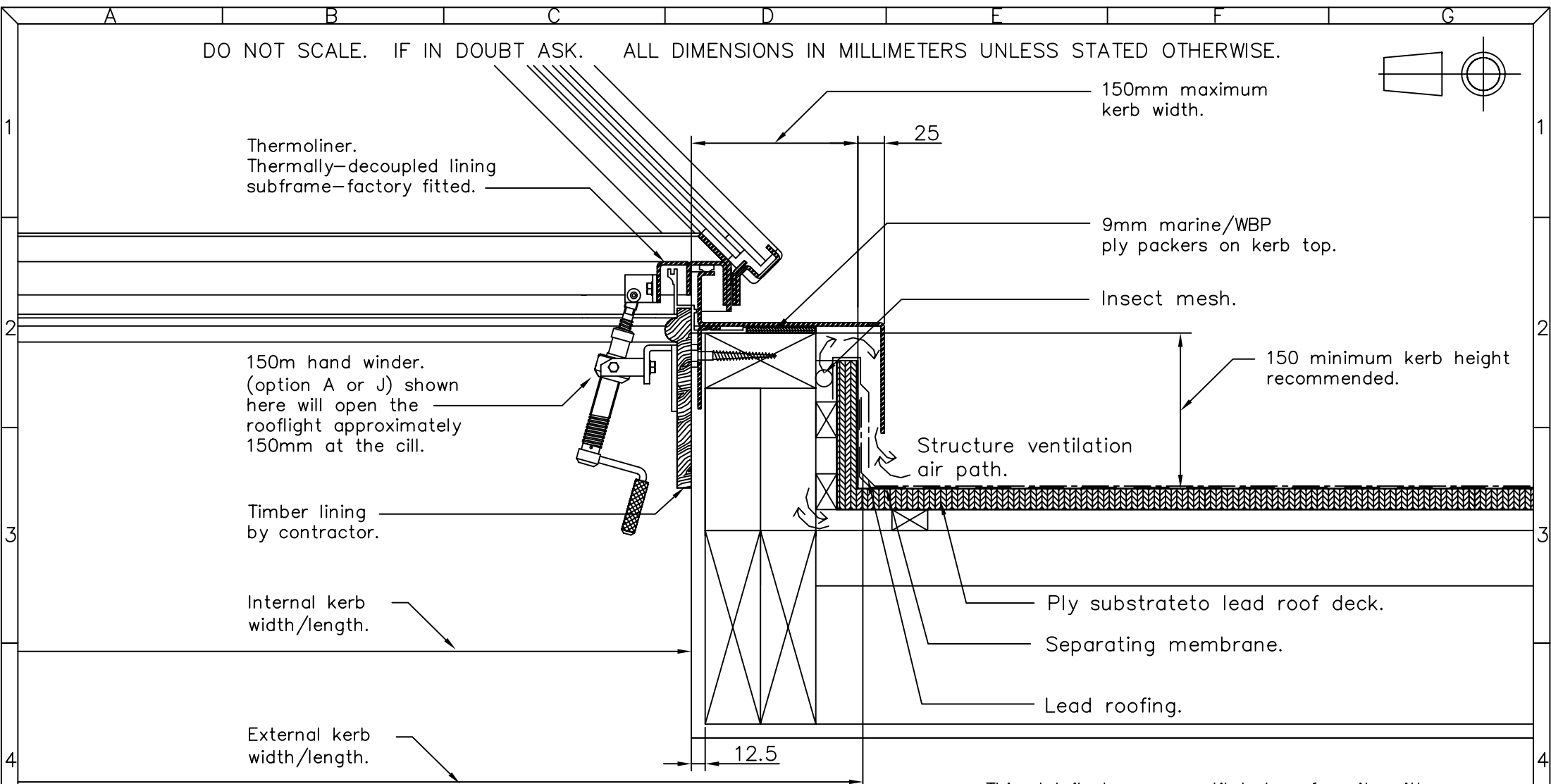
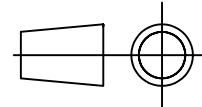


DO NOT SCALE. IF IN DOUBT ASK. ALL DIMENSIONS IN MILLIMETERS UNLESS STATED OTHERWISE.



This detail shows a ventilated roof cavity with a lead/sheet covering over.

Revision B. Zone D2. Fixing bracket added. 23/10/01. IM.

The Metal Window Company Limited
 Unit 8, Wychwood Busines Centre
 Milton Road
 Shipton-Under-Wychwood
 Oxon OX7 6XU

Telephone: 01993-830-613
 Fax: 01993-831-066
 Email: info@metalwindow.co.uk

Note.

This is not a constructional proposal. It is a suggestion of one possible roof kerb detail. Designers/ contractors should devise kerb details appropriate to the circumstances.

Drawing Ref/No. 11056-01

Title. KERB DETAIL FOR
 PYR/LTN/POL ROOFLIGHTS

Scale. N.T.S Date:23/10/01

Drawn By:IM

Checked By:IM Revision No. B

The information contained within this drawing is Copyright & Design right of THE METAL WINDOW COMPANY LIMITED.